



Handling System for Hood type Pre-wash Infill Top with Bowl Left to Right, 1000mm

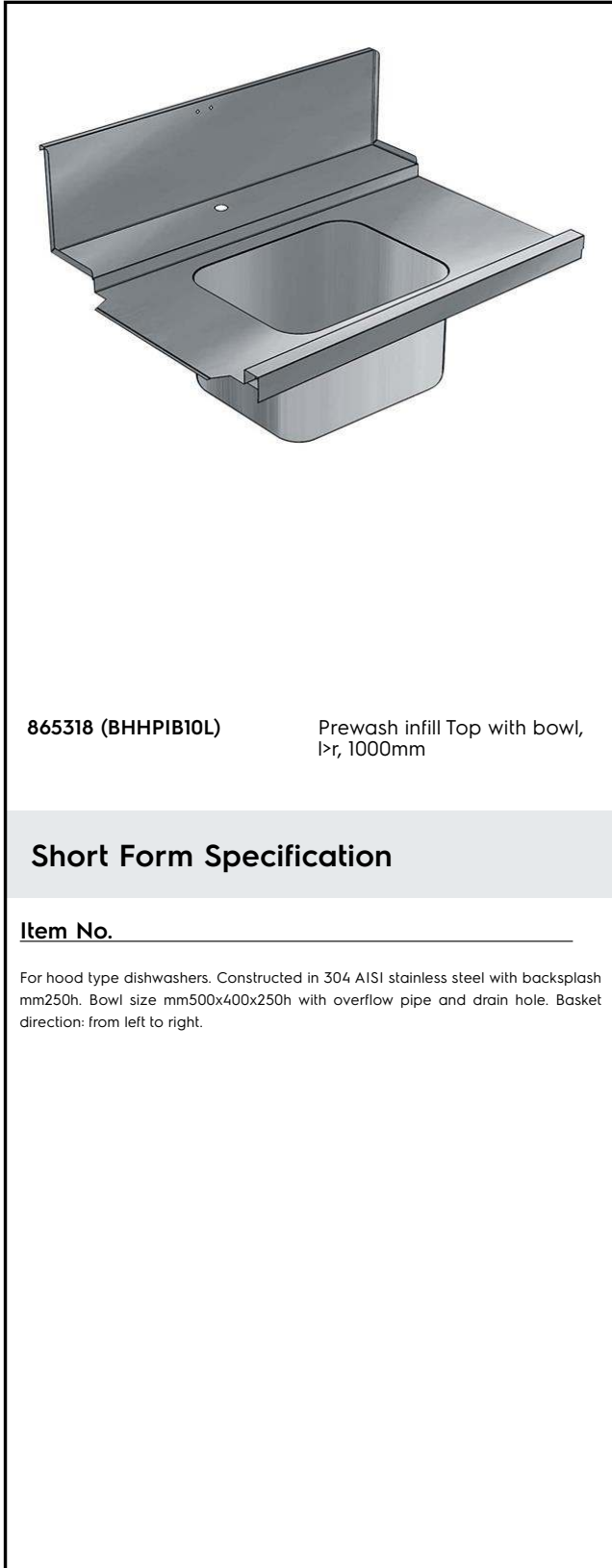
ITEM # _____

MODEL # _____

NAME # _____

SIS # _____

AIA # _____



865318 (BHHP1B10L)

Prewash infill Top with bowl,
l>r, 1000mm

Short Form Specification

Item No. _____

For hood type dishwashers. Constructed in 304 AISI stainless steel with backsplash mm250h. Bowl size mm500x400x250h with overflow pipe and drain hole. Basket direction: from left to right.

Main Features

- To be secured to the dishwasher and fitted to the receiving and sorting tables at the other end.
- Designed for 500x500 mm dishwashing racks.

Construction

- Deep anti-drip profiles completely folded with lower edge for safe and easy cleaning.
- All surfaces smooth with polished finish.
- 304 AISI stainless steel construction throughout.
- Included splashback to prevent water spatter.

Optional Accessories

- Prewash spray Unit, single hole PNC 855315
- Single plastic drain syphon 2 " for Sinks PNC 895313

APPROVAL: _____

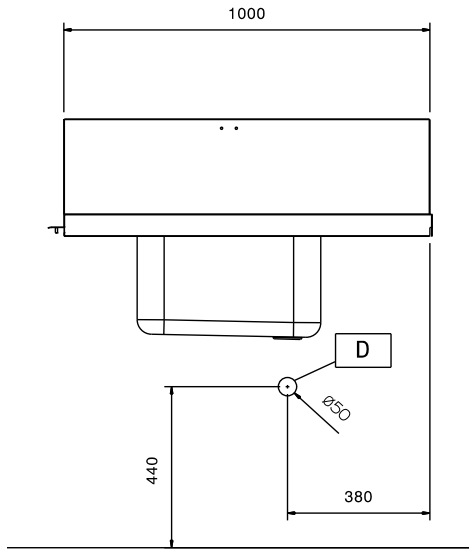


Experience the Excellence
www.electroluxprofessional.com

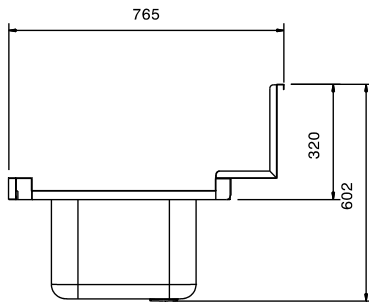
Key Information:

External dimensions, Width:	1050 mm
865318 (BHHPIB10L)	
External dimensions, Depth:	765 mm
External dimensions, Height:	600 mm
Net weight:	8 kg
Basin dimensions:	500x400x300h
Feeding direction:	from Left to Right

Front



Side



Top

